

T2006  
T2007  
T3006  
T3007

Zyl. Schraube M3X6  
SCREW M3X6  
VITE CILINDRICA M3X6

Drehmoment  
TORQUE  
MOMENT DE TORSION  
≥ 85 cmN

Isolierrippel  
INSULATING WASHER  
ROND. ISOLANTE

TRANSISTOR

Glimmerscheibe  
MICA WASHER  
RONDELLA EN MICA

Kühlkörper  
COOLING PLATE  
TOLE DE REFROI  
DISSIP. TERMICO

Zyl. Schraube M2,6X8  
SCREW M2,6X8  
VITE CILINDR. M2,6X8

Drehmoment  
TORQUE  
MOMENT DE TORSION  
20-40 cmN

Pappscheibe  
CARDBOARD WASHER  
RONDELLE EN CARTON  
RONDELLE DI CARTONE

Sich. Scheibe  
LOCKING WASHER  
CIRCLIP  
ROND. DI SICUREZZA

Glimmerscheibe  
MICA WASHER  
RONDELLE EN MICA  
RONDELLE IN MICA

Beitagscheibe  
WASHER  
RONDELLE  
RONDELLE A

Kühlkörper  
COOLING PLATE  
TOLE DE REFROI  
DISSIP. TERMICO

Mutter  
NUT  
ECROU  
DADO

T901  
T904  
T2003  
T3003

Achtung Glimmerscheibe beidseitig mit Silikonfett P12 bestreichen (Wacker-Chemie München)  
IMPORTANT: SMEAR MICA WASHER AT BOTH SIDES WITH SILICON GREASE P12 (WACKER-CHEMIE MÜNCHEN)  
IMPORTANT: GRAISSER LA RONDELLE DE MICA AVEC DE LA GRAISSE P12 (WACKER-CHEMIE MÜNCHEN)  
ATTENZIONE LA RONDELLE IN MICA VA SPALMATA DA AMBO LE PARTI DI GRASSO AL SILICONE P12 (WACKER-CHEMIE MÜNCHEN)

TB

- 1- Aufn. Mono. Aufn. Stereo Links  
REC MONO. REC STEREO LEFT  
ENREG MONO. ENREG STEREO GAUCHE  
PRESA MONO. PRESA STEREO SINISTRO
- 2- Masse / GROUND
- 3- Wiederg. Mono. Wiederg. Stereo Links  
PLAYB MONO. PLAYB STEREO LEFT  
LECT MONO. LECT STEREO GAUCHE  
RIPROD. MONO. RIPROD. STEREO SINISTRO
- 4- Aufn. Stereo rechts  
REC STEREO RIGHT  
ENREG STEREO DROIT  
PRESA STEREO DESTRO
- 5- Wiederg. Stereo rechts  
PLAYB STEREO RIGHT  
LECT STEREO DROIT  
RIPROD. STEREO DESTRO

TA / TUN

- 2- Masse / GROUND
- 3- STEREO LEFT / GAUCHE / SINISTRO
- 5- STEREO RIGHT / DROIT / DESTRO

Spannungen mit Grundig-Millivoltmeter (Ri=10MΩ), falls nicht anders angegeben, gegen Masse gemessen  
Meßwerte gelten bei 220V~Netzspannung und im nichterwärmten Zustand ohne Signal, bei (1KHz) bei 20°C Raumtemperatur  
○ NF-Spannungen

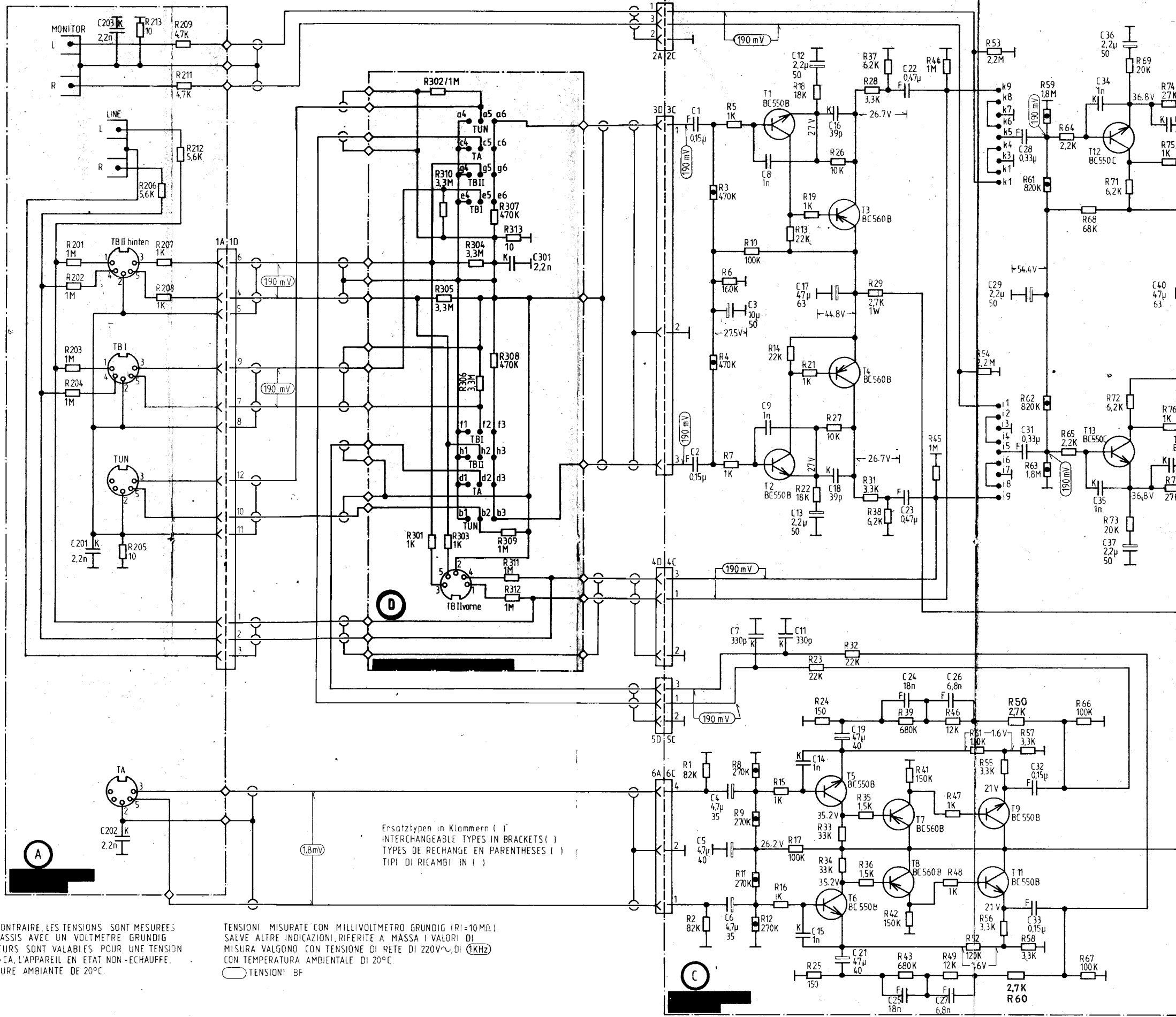
IF NOT OTHERWISE INDICATED ALL VOLTAGES ARE MEASURED AGAINST CHASSIS WITH A GRUNDIG VOLTMEETER (Ri=10MΩ)  
THE VALUES ARE VALID FOR 220V~ AC MAINS VOLTAGE, INSTRUMENT NOT WARMED UP, TO (1KHz), 20°C AMBIENT TEMPERATURE  
○ AF VOLTAGES

SAUF INDICATION CONTRAIRE, LES TENSIONS SONT MESUREES PAR RAPPORT AU CHASSIS AVEC UN VOLTMETRE GRUNDIG (Ri=10MΩ) LES VALEURS SONT VALABLES POUR UNE TENSION SECTEUR DE 220V~CA. L'APPAREIL EN ETAT NON-ECHAUFFE, DE (1KHz) TEMPERATURE AMBIANTE DE 20°C.

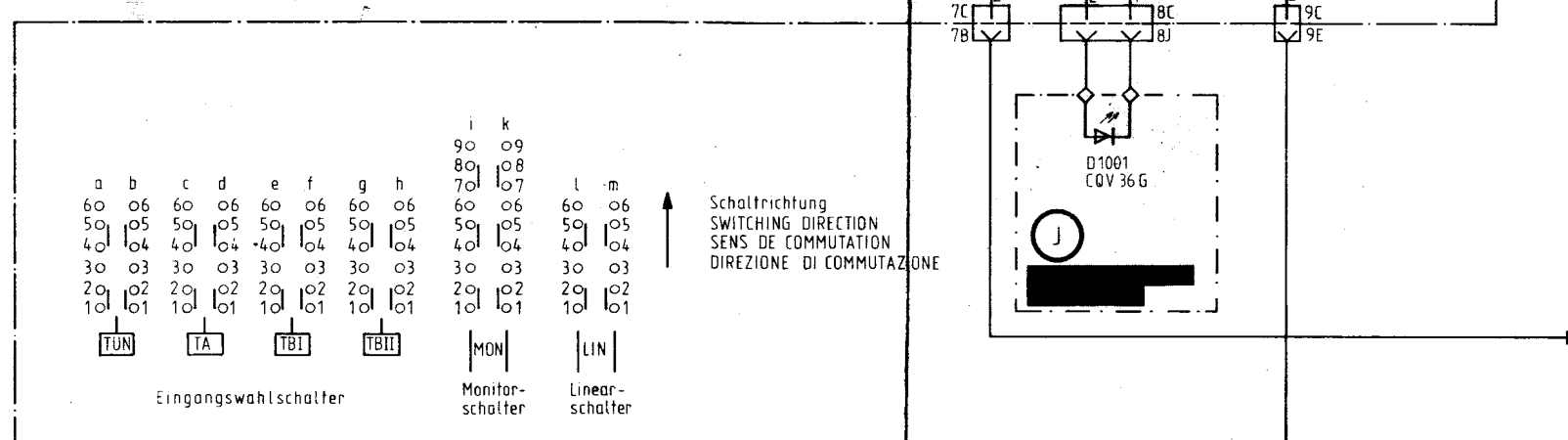
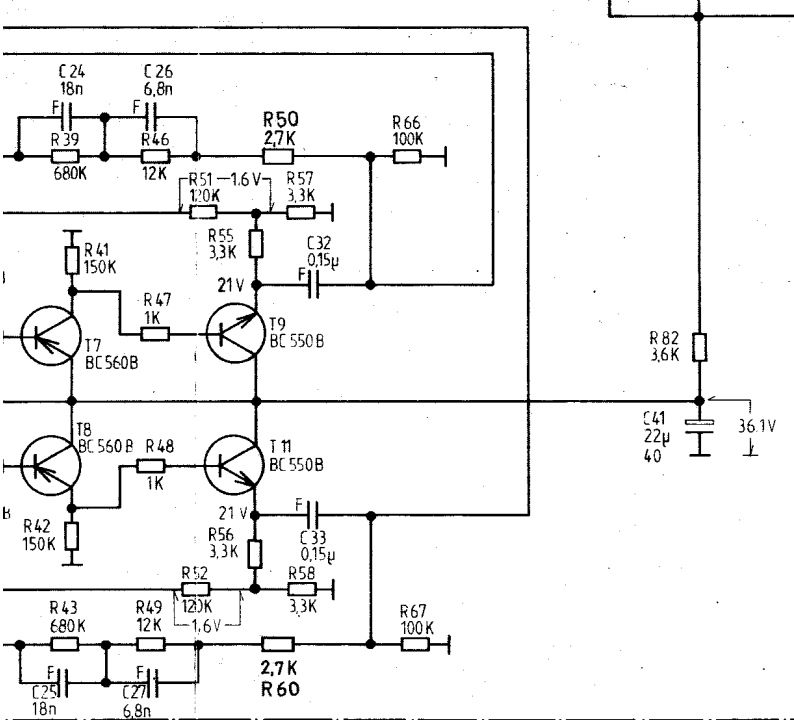
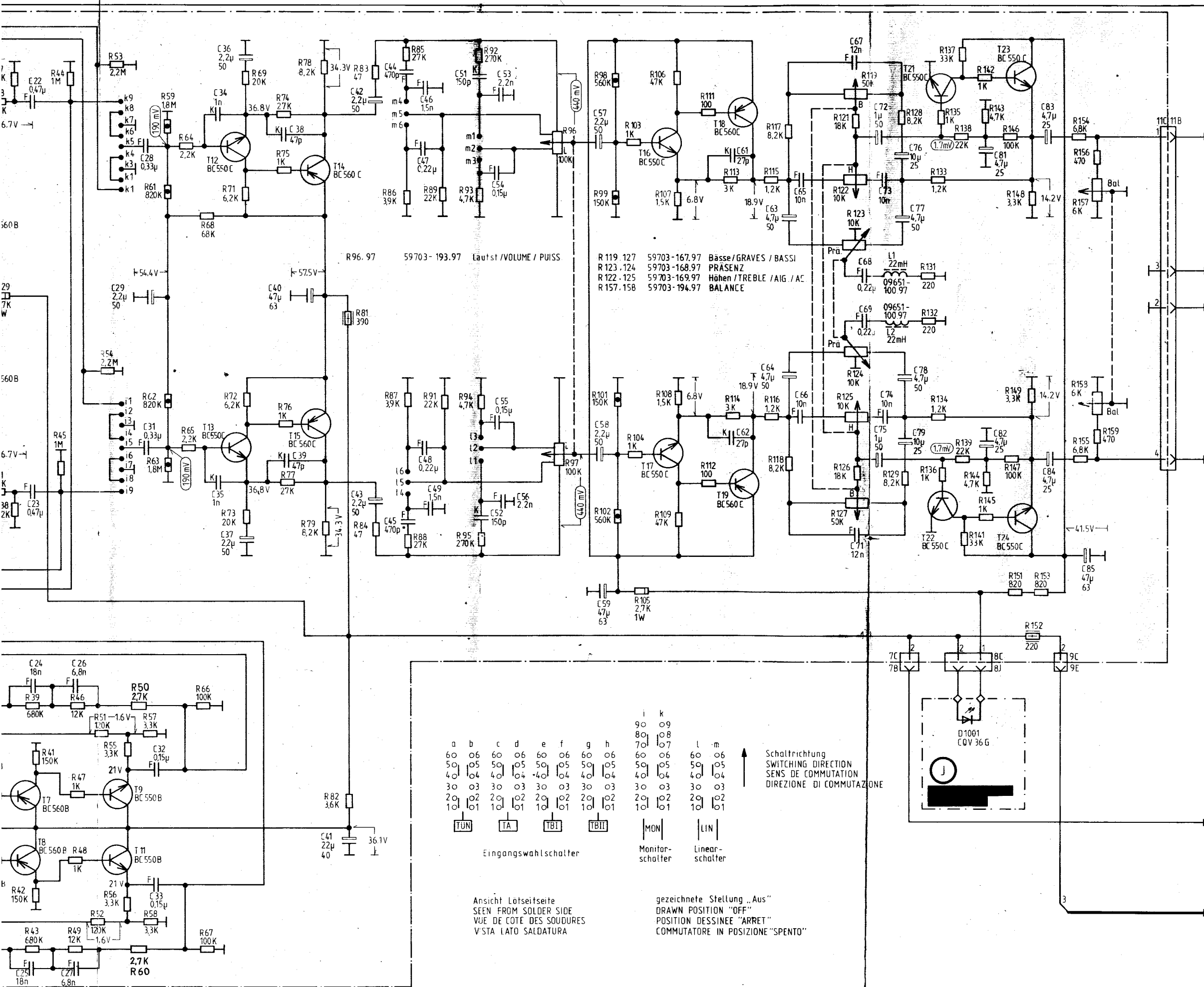
○ TENSIONS BF

TENSIONI MISURATE CON MILLIVOLTMETRO GRUNDIG (Ri=10MΩ) SALVE ALTRE INDICAZIONI, RIFERITE A MASSA I VALORI DI MISURA VALGONO CON TENSIONE DI RETE DI 220V~CA, DI (1KHz) CON TEMPERATURA AMBIENTALE DI 20°C.

○ TENSIONI BF



C	201.	202. 203.	301.	1, 2, 3, 4, 5, 6, 7, 8, 9, 10, 11, 12, 13, 14, 15, 16, 17, 18, 19, 20, 21, 22, 23, 24, 25, 26, 27, 28, 29, 30, 31, 32, 33, 34, 35, 36, 37, 38, 39, 40, 41, 42, 43, 44, 45, 46, 47, 48, 49, 50, 51, 52, 53, 54, 55, 56, 57, 58, 59, 60, 61, 62, 63, 64, 65, 66, 67, 68, 69, 70, 71, 72, 73, 74, 75, 76, 77, 78, 79, 80
R	201, 204, 213, 208, 202, 205, 206, 203, 207, 209, 211, 212.	301, 310, 304, 302, 305, 303, 307, 311, 308, 312, 309.	1, 4, 7, 10, 2, 5, 8, 11, 3, 6, 9, 12.	13, 16, 14, 17, 15, 18, 19, 23, 26, 29, 33, 36, 37, 38, 41, 45, 48, 42, 46, 49, 39, 43, 44, 47, 51, 54, 58, 62, 59, 63, 65, 67, 68, 69, 73, 71, 72, 74, 75, 76.

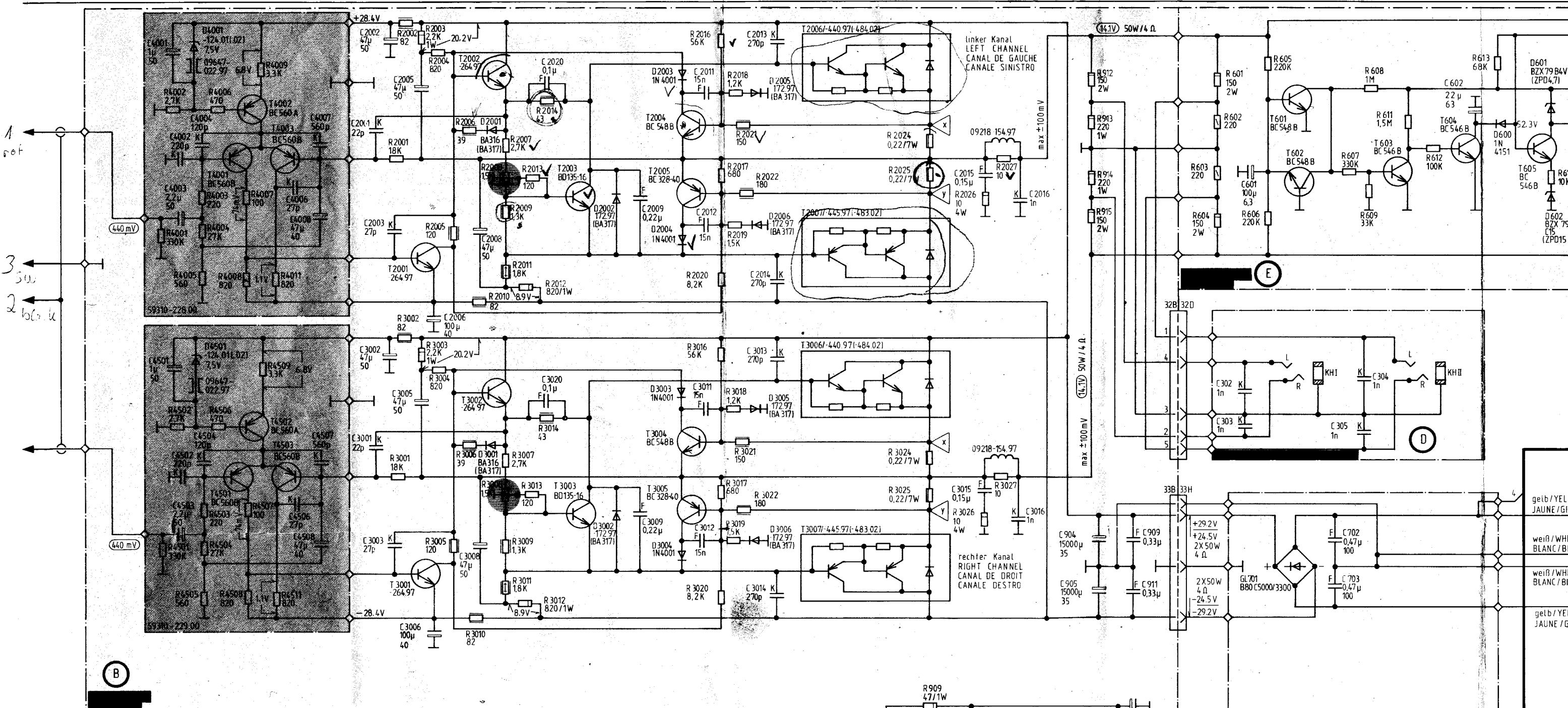


Ansicht Lotseitige  
 SEEN FROM SOLDER SIDE  
 VUE DE COTE DES SOUDURES  
 VISTA LATO SALDATURA

gezeichnete Stellung „Aus“  
 DRAWN POSITION "OFF"  
 POSITION DESSINEE "ARRET"  
 COMMUTATORE IN POSIZIONE "SPENTO"

22,25,	26,	28,32,	34,	36,	38,	41,	42,	44,46,49,	51,	53,56,	57,	61,	63,65,	67,	74,	76,79,	81,	83,	85,	
23,	27,	29,33,	35,	37,	39,	43,	45,47,	52,	54,	55,	58,	62,	64,66,	68,	72,75,	77,	82,	84,		
24,		31,									59,			69,	72,					
37,	39,43,44,47,	51,54,	57,61,50	64,66,	69,73,	74,77,	78,	81,83,	85,88,	89,	92,95,	96,	98,102,103,	106,109,111,	113,	115,117,	119,123,126,	128,131,134,	137,141,142,145,148,152,	154,156,159,
38,	41,45,48,	53,56,	58,62,60	65,67,	71,	75,	79,	82,84,	86,	91,	93,	97,	99,104,	107,112,	114,	116,118,	121,124,127,	129,132,135,	138,143,146,149,153,	155,157,
42,	46,49,	53,56,	59,63,	68,	72,	76,		87,	89,	91,	94,		101,105,	108,			122,125,	133,136,	139,144,147,151,	158,

**GRUNDIG**  
 Verstärker V2000 (GB)  
 (55028-906.01)



1 rot  
3 SW  
2 60k

Ruhestromeinstellung  
ohne Lautsprecherabschluß mit R2008, 3008  
Spannungsabfall an R2024, R2025 bzw  
R3024, 3025 auf 30 mV ± 10% einstellen

REGLAGE DU COURANT DE REPOS  
SANS CHARGE HP REGLER RESP PAR R2008, 3008  
LA CHUTE DE TENSION AUX BORNES DE R2024, R2025  
RESP R3024, 3025 A 30 mV ± 10%

SETTING OF QUIESCENT CURRENT  
WITH LOUDSPEAKER SOCKET NOT TERMINATED  
ADJUST R2008, 3008 TO OBTAIN A POTENTIAL  
DROP ACROSS R2024, R2025 RESP  
R3024, 3025 OF 30 mV ± 10%

REGOL CORRENTE DI RIPOSO  
SENZA CHIUSURA SULL'ALTOP  
DI TENSIONE CON R2008, 3008  
AGENDU SU R2024, R2025  
RISP R3024, 3025 PORTANDO IL  
VALORE 30 mV ± 10%

R 29 / 105 / 908 / 909 / 918  
Sicherungswiderst nur Metalloxyd - Typen nach DIN 40040 verwenden  
FUSE RESISTANCES USE ONLY METALLIC-OXIDE TYPES ACC TO DIN 40040  
RESISTANCES FUSIBLES UTILISER SEULEMENT DES TYPES OXYDE  
METALLIQUE SELON DIN 40040  
RESISTENZA DI SICUREZZA FORNIBILE SOLO IL TIPO METALLOXYD  
DIN 40040

4001, 4501, 4004, 4002, 4502, 4504, 4003, 4503,	4006, 4007, 4508, 2001, 3002, 2005, 3006, 4506, 4008, 3001, 2003, 2006, 4507, 2002, 3003, 3005,	2008, 2020, 3008, 3020,	2009, 3009,	2011, 3012, 2012, 3011,	2013, 3014, 916, 2014, 3013,	910,	2015, 3015, 2016, 3016,	903, 904, 905,	909, 911, 913,	601, 604, 302, 303,	702, 704, 703, 705,	602,
4001, 4002, 4003, 4503, 4006, 4507, 4009, 4011, 4501, 4502, 4004, 4504, 4506, 4008, 4509, 4511, 4005, 4505, 4007, 4508,	2001, 2002, 3003, 3005, 3010, 2007, 2011, 3009, 2011, 2014, 3001, 2003, 3004, 2006, 2010, 2008, 3007, 3011, 3013, 2012, 3002, 2004, 2005, 3006, 2009, 3008, 2013, 3012, 3014,	2016, 3016, 2018, 3019, 3021, 2017, 3017, 2019, 3021, 3022, 2020, 3020, 3018, 3022,	2024, 3025, 901, 907, 2026, 2027, 904, 2025, 902, 3026, 3027, 3024, 909,	912, 915, 913, 911, 914,	601, 604, 605, 603,	605, 606, 609,	611, 612, 613,	614,				

